



INSTALLATION and OPERATION MANUAL



BAYSAVER II
9000LB Models
48109B / 48209B
Flushmount Models
48109BFM / 48209BFM
(144" W/B / 172" W/B)
12000LB Model
4812205AF 172" W/B

**READ and SAVE THIS
INSTRUCTION MANUAL**



TABLE OF CONTENTS	PAGE
1. SAFETY INSTRUCTIONS.....	3
2. SPECIFICATIONS.....	4
3. CONTENTS.....	5
4. TOOLS REQUIRED FOR INSTALLATION	5
5. INSTALLATION INSTRUCTIONS.....	5
5.1 BAY LAYOUT	6
5.2 UNPACKING PROCEDURE.....	7
5.3 HYDRAULIC INSTALLATION.....	7
5.4 ELECTRICAL INSTALLATION.....	9
5.5 BLEEDING PROCEDURE	10
5.6 AIR LINE INSTALLATION	10
5.7 MECHANICAL SAFETY INSTALLATION:	11
5.8 PNEUMATIC SYSTEMS INSTALLATION.....	13
5.9 LEVELING PROCEDURE.....	14
5.10 ANCHORING PROCEDURE:	15
5.11 INSTALLATION OF COVERS, WHEEL STOPS AND APPROACH RAMPS:.....	15
6. OPERATING INSTRUCTIONS	16
6.1 RAISING THE LIFT.....	16
6.2 LOWERING THE LIFT.....	17
7. RECOMMENDED MAINTENANCE	17
8. PARTS MANUAL.....	19
LIFT ASSEMBLY.....	19
HYDRAULICS ASSEMBLY.....	22
OPTIONS.....	24
CONSOLE ASSEMBLY.....	26
9,000 LB POWER PACK ASSEMBLY.....	28
12,000 LB POWER PACK ASSEMBLY.....	31
9,000 LB FLUSHMOUNT PIT DRAWING.....	34

1. SAFETY INSTRUCTIONS

When using this lift, basic safety precautions should always be followed, including the following:

1. Read all instructions in this manual and on the lift.
2. Inspect lift daily. Do not operate if it malfunctions or problems have been encountered.
3. Never attempt to overload the lift. The manufacturer's rated capacity is shown on the identification label on the power side column. Do not override the operating controls or the safety devices.
4. Only trained and authorized personnel should operate the lift. Do not allow customers or bystanders to operate the lift or be in the lift area.
5. **Caution! Never work under the lift unless the mechanical safety locks are engaged.**
6. Always keep the lift area free of obstruction and debris. Grease and oil spills should always be cleaned up immediately.
7. Never raise vehicle with passengers inside.
8. Before lowering check area for any obstructions.
9. To protect against the risk of fire, do not operate lift in the vicinity of open containers of flammable liquids.
10. Adequate ventilation should be provided when working on internal combustion engines.

SAVE THESE INSTRUCTIONS

2. SPECIFICATIONS

Maximum Capacity:	9000 lbs.	4100 kg	12000 lbs.	5450 kg
Overall Width:	84"	2134 mm	92"	2337 mm
Width Between Runways:	36"	914 mm	36"	914 mm
Overall Length (144" W/B):	234"	5944mm	N/A	N/A
Overall Length (172" W/B):	264"	6706 mm	264"	6706 mm
Max. Raised Height:	72"	1829 mm	72"	1829 mm
Min. Lowered Height:	8 3/4"	222 mm	8 3/4"	222 mm
Lifting Time:	60 Sec.		60 Sec.	
Power Requirements:	230V, 1Ph, 60Hz		230V, 1Ph, 60Hz	
Shipping Weight (144" W/B):	3450 lbs.	1565 kg	N/A	N/A
Shipping Weight (172" W/B):	3560 lbs.	1615 kg	4980 lbs.	1615 kg

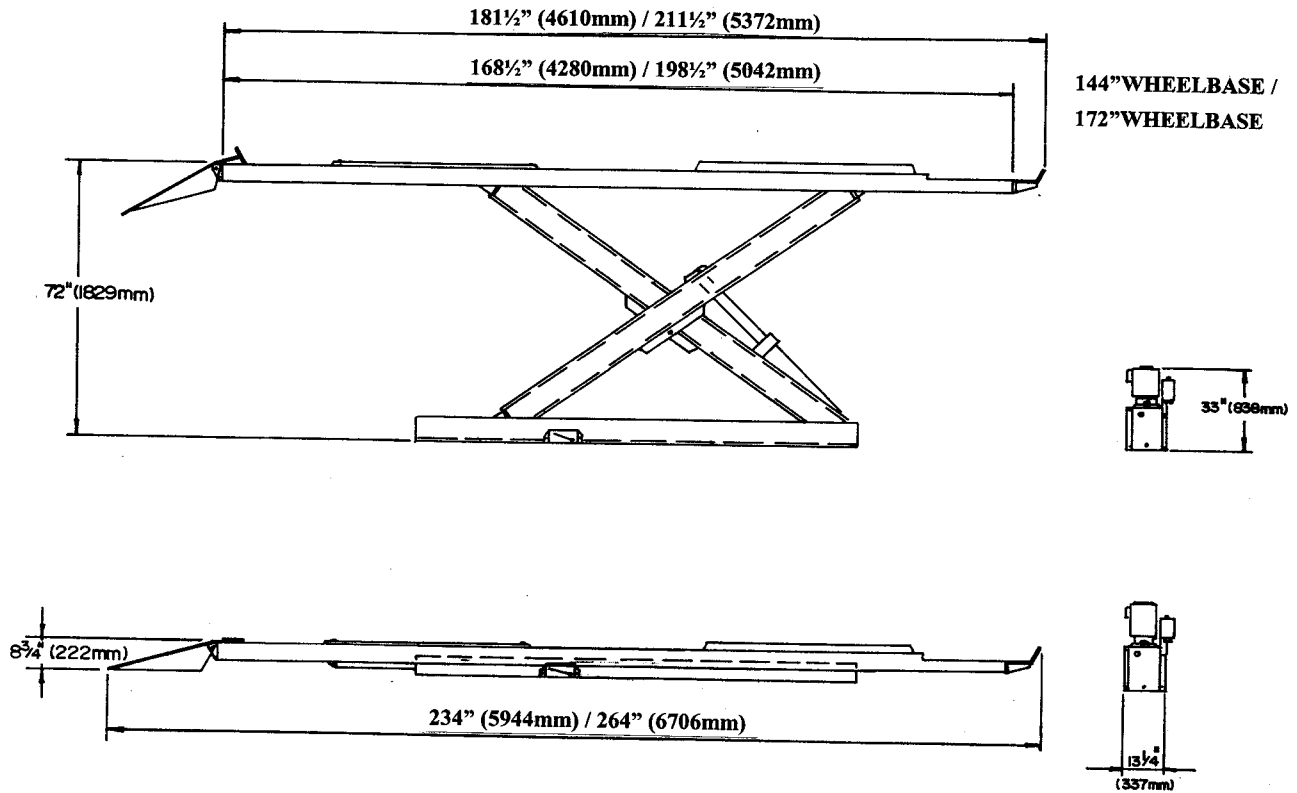


Figure 1 -Lift Dimensions

3. CONTENTS

The complete lift is contained in two (2) packages:

1. The **main structural components** are pre-assembled and packaged one on top of the other.
2. The remaining parts are packed in an **accessory box**.

Main Structural Components includes:

1pc. - Left Side Main Frame Assembly; Runway, Scissors and Base Frame

1pc. - Right Side Main Frame Assembly; Runway, Scissors and Base Frame

Note: Hydraulic lines in base frames have been factory installed

4. TOOLS REQUIRED FOR INSTALLATION

- * Rotary Hammer Drill or Similar, ¼" and ½" Concrete Drill Bits
- * 4' Level
- * SAE Wrenches and Sockets
- * Hammer
- * Pry Bar
- * Chalk Line
- * Tape Measure
- * Side Cutters
- * Screw Drivers
- * Hydraulic Fluid ISO 32 (10 weight hydraulic oil) - (20 liters / 5.3Gal.)

5. INSTALLATION INSTRUCTIONS

When the lift arrives on site, please read the owner's manual completely. Check the contents to make sure no parts are missing before starting installation. Gather all the tools listed and make sure the installation instructions are fully understood before commencing with the installation.

IMPORTANT: It is the user's responsibility to provide a satisfactory installation area for the lift. Lifts should only be installed on level concrete floors with a minimum thickness of five (5) inches or 130 mm. Concrete must have a minimum strength of 4000 psi or 30 MPa and should be aged thirty (30) days prior to installation. Please consult the architect, contractor or engineer if doubt exists as to the strength and feasibility of the floor to enable proper lift installation and operation.

It is the user's responsibility to provide all wiring for electrical hook-up prior to installation and to insure that the electrical installation conforms to local building codes. Where required, it is the user's responsibility to provide an electrical isolation switch located in close proximity to the lift that will enable emergency stop capability and isolate electrical power from the lift for any servicing requirements.

5.1 BAY LAYOUT

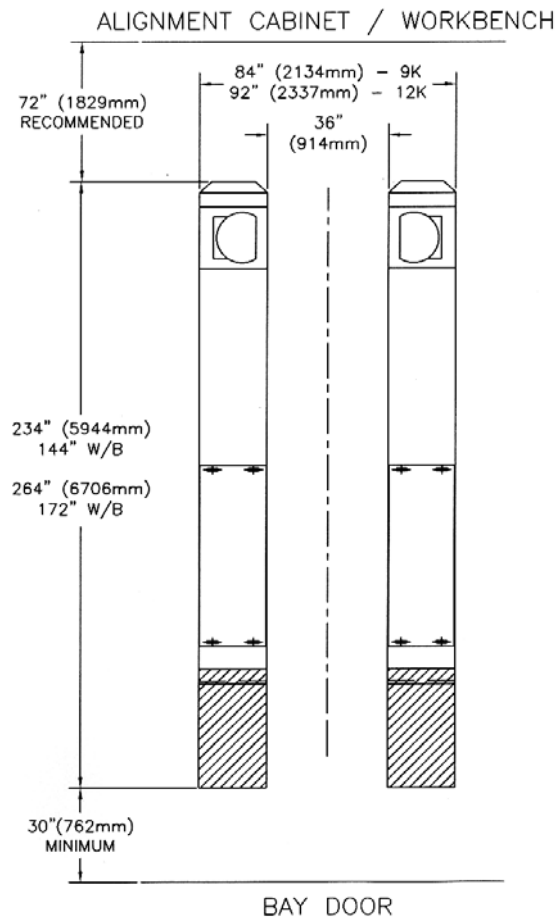


Figure 2 - Typical Bay Layout (Surface Mount)

IMPORTANT: DO NOT UNBOLT SHIPPING CLAMPS HOLDING EACH MAIN FRAME ASSEMBLY TOGETHER UNTIL INSTRUCTED TO DO SO.

1. After selecting the location best suited for your lift, draw a line parallel to the front of the lift, approximately 72" (1829mm) back from the cabinet/work bench area. This will be the approximate location of the front of the lift.

NOTE: Check the installation area for obstructions. (Overhead; light fixtures, heating ducts, ceiling, and In-ground; floor drains, electrical, etc.)

2. Mark on the floor an outline matching the dimensions listed.

144" (3658mm) W/B	Overall dimensions are 234" (5944mm) x 84" (2134mm).
172" (4369mm) W/B 9K	Overall dimensions are 264" (6706mm) x 84" (2134mm).
172" (4369mm) W/B 12K	Overall dimensions are 264" (6706mm) x 92" (2337mm).

3. Draw a center line down the middle of the outline starting at the front of the lift location and ending at the rear approach ramps.

4. Draw two lines parallel to the centerline 18" (457mm), 9000 lb. / 20" (508mm), 12000 lb., on either side to locate the inside of the baseframes.
5. Draw a line parallel to the front of the lift or pit (flushmount) and align the front of each base frame assembly onto this line.

144" (3658mm) W/B 39" (991mm) back from the front of the lift
172" (4369mm) W/B 49" (1321mm) back from the front of the lift

6. Check the floor in the outline for the highest point using a four (4) foot level. Mark this location, reference will be made to it later during the leveling procedure.

5.2 UNPACKING PROCEDURE

Cut and remove the metal banding straps that hold the accessory box (and sliding Jack Beams if so equipped) and place in a convenient location near the installation area.

Cut and remove the metal banding straps surrounding the Two Main Frame Assemblies. Position the Main Frame Assemblies in the location previously marked in the bay layout.

NOTE: To distinguish between the left and right Main Frame Assemblies, ensure that the jack beam rails should be facing each other. All measurements are to be taken from the front of the lift.

Check that the inside of the base frames are 18" (457mm) away from the center line at both the front and rear of each mainframe assembly and that the front of each base frame is on the line drawn in step 5 of the bay layout Section 5.1.

Unpack Control Console and locate in the selected position best suited for the power pack, keep in mind; that the location is restricted by the length of the hydraulic hose 21' (6401mm), and the hydraulic inlet is on the Left Side of the Left Main Frame Assembly

5.3 HYDRAULIC INSTALLATION

ATTENTION: The hydraulic pump system on this lift is not designed to be a load holding devise. Safety devises must be engaged before proceeding with any vehicle servicing or system maintenance

NOTE: When working with hydraulics it is important to keep all components clean. All hydraulic connections are 37 1/2° JIC flares.

1. Remove the back cover of the Control Console. The power pack is located inside the console.
2. Remove the breather filler cap and fill with 20 liters/5.3Gal. of ISO 32 hydraulic fluid (10 weight).

3. Remove the two (2) hydraulic hoses, one (1) braided hose, and one (1) polytube from the console. Route all four (4) hoses to the inlet ports located on the left side of the left main frame assembly Refer to Figure 3.
4. Locate the two (2) 21' (6401mm) long hydraulic hoses mounted from the back of the console. Connect the hoses to the two inlet ports of the lift. The inlet ports are located on the left side of the Left Main Frame Assembly. Refer to Figure 3.
5. Connect the 21' (6401mm) long 3/8" braided hose to the inlet on the left baseframe.
6. Connect one end of the center hydraulic line to the outlet side of the Left Main Frame Assembly and the other end to the inlet side of the Right Main Frame Assembly. Tighten the hydraulic line in place so that it runs along the floor giving it a low profile.

IMPORTANT: THE SHIPPING CLAMPS HOLDING EACH MAIN FRAME ASSEMBLY TOGETHER MUST BE UNBOLTED BEFORE CONNECTING ELECTRICAL POWER. THERE ARE TWO (2) CLAMPS ON EACH ASSEMBLY.

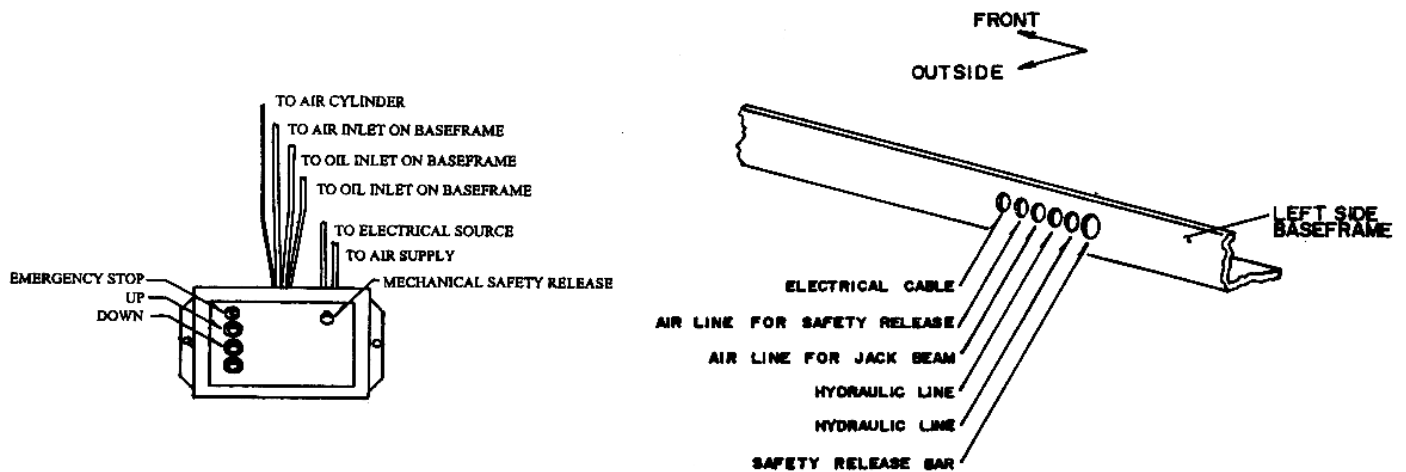
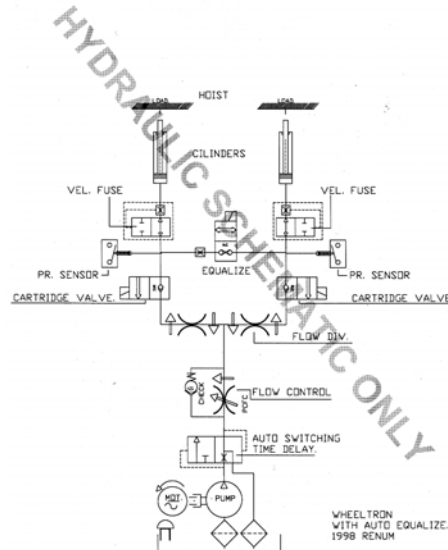


Figure 3 - Hydraulic Connections



Hydraulic Schematic

5.4 ELECTRICAL INSTALLATION

IMPORTANT: ALL FINAL ELECTRICAL CONNECTIONS SHOULD BE MADE BY A QUALIFIED ELECTRICIAN.

Please refer to Figure 4, the electrical diagram. Note: All electrical connections have been made and customer power supply can be connected using the 12" cable extending from the back of the console.

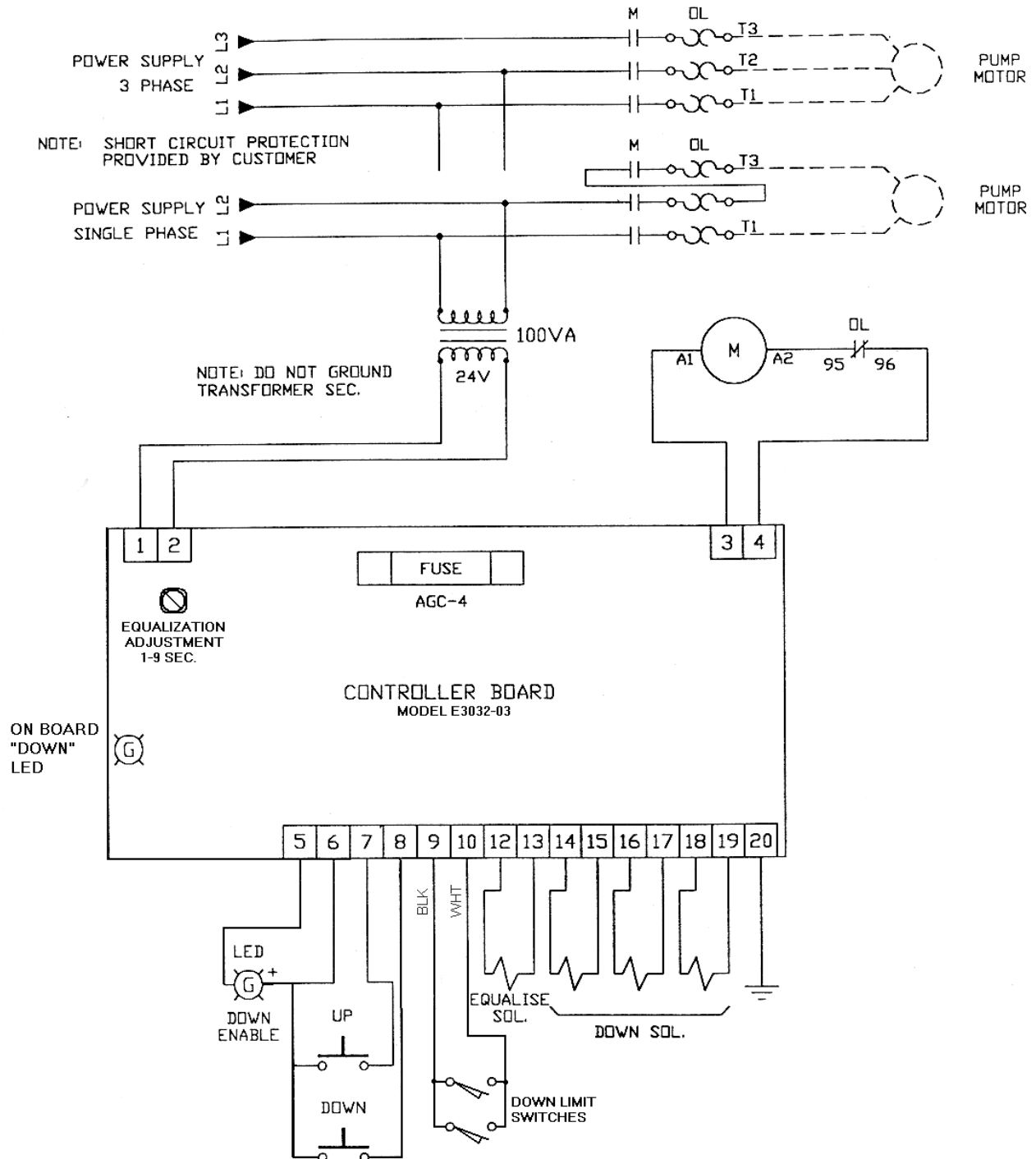


Figure 4 - Electrical Schematic; 220 Volt, 1Ph.

5.5 BLEEDING PROCEDURE

1. Once the main electrical power supply has been connected, turn the equalization adjustment fully clockwise. The equalization adjustment is located on the powerpack controller board, see Figure 4.
2. Press the up control button and raise the lift 10” (254mm) above the ground. If the LED does not illuminate, continue pressing the up button until the LED comes on.
3. Lower the lift to the ground and hold the down button until the LED light goes off. This will release air from the hydraulic system. Note: If the LED is not illuminated the lift will not lower – press the up button and raise the lift until the LED comes on. Once the LED is illuminated, the lift can be lowered.
4. Repeat these steps 3-4 times to completely bleed the system of air. Check the lift for hydraulic leaks at all connections. When complete, turn the equalization adjustment fully counter clockwise.
5. After bleeding, it is recommended that the filter assembly fitting (between the hydraulic hose and the powerpack) be cleaned. Place the fitting on a workbench and use an air gun to blow through the filter in the opposite direction to flow from the lift.
6. Close the back cover of the Control Console making sure that all four hoses are routed through the slot located at the bottom of the back cover.

5.6 AIR LINE INSTALLATION

1. Remove the air line fittings from the accessory box.
2. Raise the lift until the deck is at a suitable working height. Lower the lift until mechanical safety locks engage.
3. Assemble the fittings to the front of the left side deck as shown in Figure 5. Connect the 3/8” polytube from the inside of the deck to the fitting assembly.
4. Assemble the fittings to the rear of the right side deck as shown in Figure 5. Connect the 3/8” polytube from the inside of the deck to the fitting assembly.
5. Remove one recoil hose from the accessory box and connect it to the rear fitting assembly as shown in Figure 5. Run the recoil hose under the deck and connect the opposite end to the air line on the scissors using the 3/8”JIC-M x 1/4”NPT-F adapter from the hardware kit.

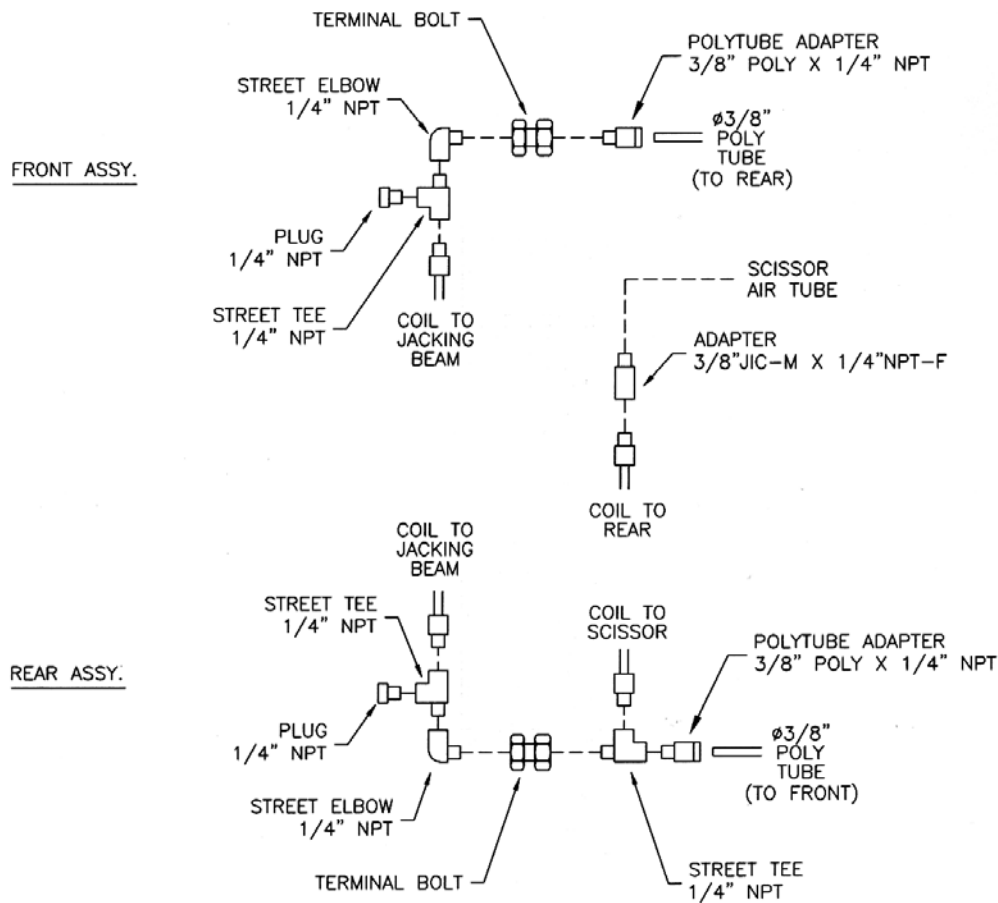


Figure 5 – Air Line Connections

5.7 MECHANICAL SAFETY INSTALLATION:

1. At this point, run the lift up to full height and turn off the power supply to the power pack.
2. The safety release rods must be fed through the holes closest to the rear of each baseframe.

NOTE: The rods should be installed so that the flat section in the middle of the rod is on top and pointing up toward the front of the deck when the slots on either end are parallel to the ground. Refer to Figure 6.

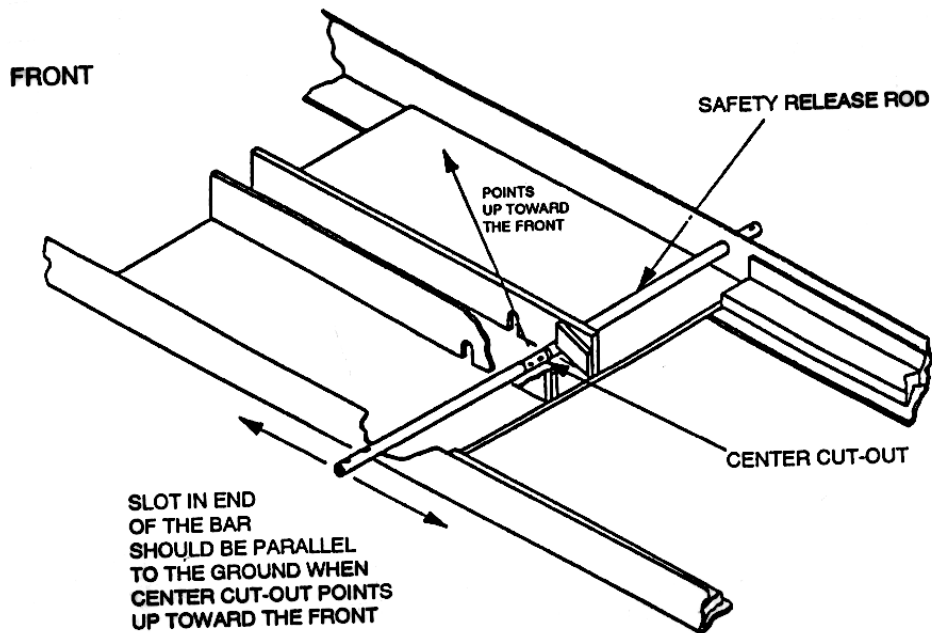


Figure 6 - Safety release rod location.

3. Install the rectangular safety release tab using one (1); 1/4" - 20UNC x 3/4"lg. cap screws. The safety release tab screws to the surface of the safety release rod located under the mechanical safety locks.
4. Using Figure 7, attach the rod end to the air cylinder, and assemble it to the safety release plate using the shoulder bolt supplied in the hardware kit. Connect the safety release plate to the safety release rod using two (2) hex bolt and lockwashers.
5. Assemble the breather and 90° elbow to the air cylinder as shown in Figure 7. Attach the air cylinder to the baseframe using the shoulder bolt provided.
6. Install the safety release connecting rod between the safety bars using 1/4"-20UNC x 1 1/4" lg hex bolt, nut and lockwasher, using one on each side.
7. Place the safety bar weldments back in their engaged position. **Turn power back on.**

5.8 PNEUMATIC SYSTEMS INSTALLATION

NOTE: A MECHANICAL SAFETY RELEASE CONTROL BUTTON ON THE CONTROL CONSOLE WILL RELEASE THE MECHANICAL SAFETY FOR LOWERING OPERATIONS.

1. Route the 30' polytube next to the hydraulic hoses to the inlet of the lift, through the left baseframe assembly and into the 90° elbow attached on the air cylinder. Refer to Figure 7.
2. Connect an air supply line from the customer's shop to the air inlet at the rear of the control console. The air supply line should have an operating pressure of 100-120psi (7-8 bar). If air supply line is higher than 120psi, use optional part # 6-0182, 1/8" plug. Check for leaks.
3. Make sure there are no people, tools, or obstructions under the platforms before pressing the mechanical safety release button, and then lower the lift by pressing down button on the control panel. Stop lowering at approximately 3 feet from the floor. Release the mechanical safety release button and lower the lift down onto its safeties.
4. **FOR THOSE UNITS EQUIPPED WITH SLIDING JACK BEAM(S) NOW IS THE TIME TO INSTALL THE JACK(S).** Lower lift and consult instructions supplied with each Jacking Beam.

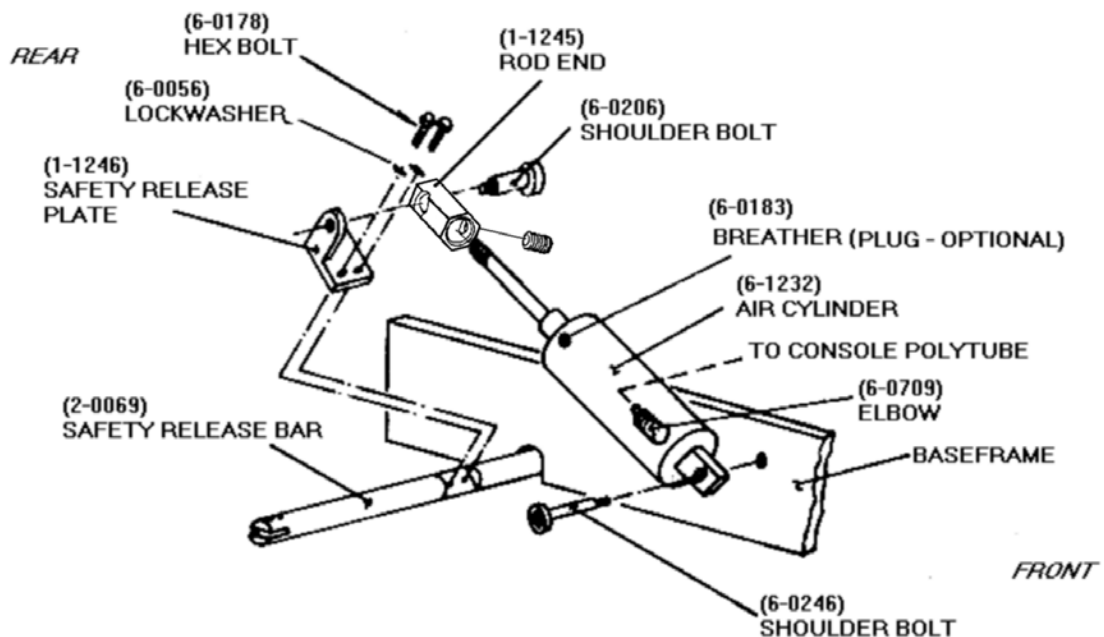


Figure 7 – Air Operated Mechanical Safety Release (Left Baseframe)

5.9 LEVELING PROCEDURE

1. The highest point on the floor, noted from Section 5.1 step 6 is the point from which the base frame will be leveled from. Raise the lift to full height and, using a four (4) foot level across the base frames, verify again that this is the highest point.
2. Starting at the corner closest to the highest point, check along the length of the base frame edge with the four foot level and shim as required. **NOTE THE FIVE CRITICAL POSITIONS THAT SHIMS MUST BE PLACED ON EACH BASE FRAME OF EACH MAIN FRAME ASSEMBLY.** Refer to Figure 8.
3. Continue shimming across that base frame from side to side, and front to rear.
4. Once one frame is completely leveled, level the inside rails of the base frames to one another.
5. Now level the remaining outside half of the last base frame by placing the level across that unit and shimming as required.
6. A quick check across, along and between each base frame will ensure the leveling procedure was carried out successfully.

LEVELING EXAMPLE:

Assuming that the front right corner is the highest point level in the following order:

- Shim along side "A"
 - Shim across from side "A" to side "B" (check along side "B" from front to back)
- The Right Side base frame should now be leveled.**
- Shim across from side "B" to side "C" (check along side "C" from front to back)
 - Shim across from side "C" to side "D" (check along side "D" from front to back)
 - Shim along side E & side F (locking Mechanism)

Both base frames should now be leveled from front to back and side to side.

NOTE: Base frame leveling should be performed as a reference before main leveling of the decks. One last check before anchoring is to make sure that there is 36" between the baseframes.

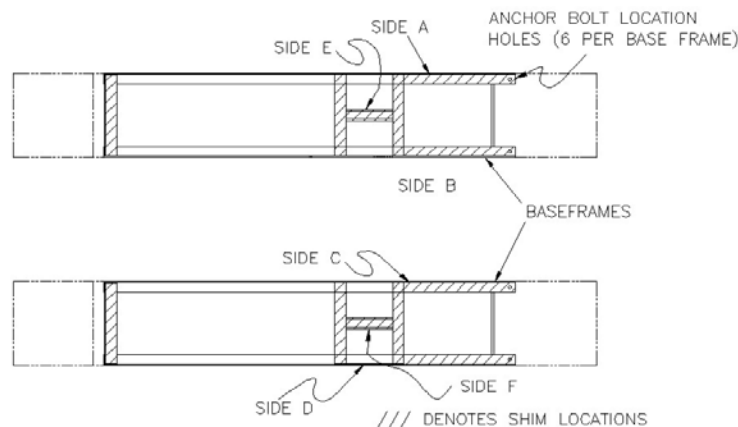


Figure 8 - Leveling Procedure Example

5.10 ANCHORING PROCEDURE:

NOTE: Check operation of lift (up/down) and movement of jack beams before anchoring the lift

1. Using a rotary hammer drill and a ½" concrete drill bit, drill through the floor in the six (6) anchor bolt locations on each of the base frames. Make sure that the ½" concrete drill is in good condition. Refer to Figure 9.
2. Insert the ½" x 4 ½" long wedge anchor bolts supplied, place a flat washer and nut on each anchor. Tighten securely.
3. Torque all anchor bolts to 55 ft. lbs.
4. With all anchor bolts torqued as specified operate the lift checking its full operation.

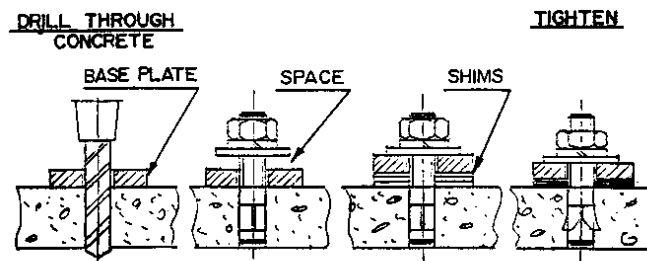


Figure 9 - Anchoring

5.11 INSTALLATION OF COVERS, WHEEL STOPS AND APPROACH RAMPS:

1. Locate and install the center cover over the mechanical safety release connecting rod and center connecting hydraulic line. Install using the four (4) ¼" - 20 UNC x ¾" long hex head bolts, flat washers and lock washers.
2. Check to make sure that the safety release connecting rod does not bind during operation.
3. Locate and install protective line covers over all air and hydraulic supply lines.
4. Using a rotary hammer drill and a ¼" concrete drill bit, drill all line cover locations. Using the ¼" nail-in anchors supplied, fasten the line covers to the floor.
5. Locate and install the two (2) front wheel stops; one (1) to the front of each of the runways using the six (6) 1/2" - 13 UNC x 1 1/2" long hex head bolts, flat washers, and lock washers.
6. Install the approach ramps using ramp pins, washers, and cotter pins.

6. OPERATING INSTRUCTIONS

NOTE: In case of power failure, the manual override can be used to lower the lift. To operate the manual override, first remove red plastic tamper proof cap from each of the two solenoids connected to the hydraulic lines. Unscrew the center needle valves on each of these 2 solenoids simultaneously to the fully counterclockwise position. The lift will then lower to the ground (Note: a second person may be required to disengage the safeties).

6.1 RAISING THE LIFT

1. If the lift is equipped with Sliding Jack Beam(s) be sure that the Beam(s) are positioned at the front or mid travel of the lift, fully down, with the risers removed and stored. Never store Jack Beam(s) at the rear of the lift.
2. Be sure that the lift is fully lowered before attempting to load or unload a vehicle.
3. Position the vehicle on the lift ensuring the resulting load on each deck is distributed as evenly as possible.

NOTE: The vehicle is positioned correctly when the distance from the center of the tires to the inside edge of the runways is equal on both runways, for the front and rear tires.

4. Check that there are no obstructions above the lift that could damage the lift or vehicles.
5. Raise the lift by pressing the up button on the control console. Raise the lift up past the desired working height until the mechanical safety drops into position. Press the down button to lower the lift down onto both of the mechanical safeties. Note: If the LED is not illuminated the lift will not lower – press the up button and raise the lift until the LED comes on. Once the LED is illuminated, the lift can be lowered.
6. Continue depressing down button until L.E.D. shuts off. (To allow lift to equalize automatically)

NOTE: NEVER WORK UNDER A VEHICLE OR THE LIFT UNLESS IT IS POSITIONED ON BOTH MECHANICAL SAFETIES!

6.2 LOWERING THE LIFT

1. Check that there are no obstructions under the lift or vehicle. Be sure that the Sliding Jack Beams are fully lowered and positioned at the front or mid section of the lift.
2. Raise the lift by pressing the up button until the mechanical safety bars are off their stops, and the LED light illuminates. Stop raising.
3. Depress the mechanical safety release button to disengage the mechanical safety locking bars. Continue to hold the button while depressing the down button on the control console.
4. Continue lowering until the lift is approximately 34" (864mm) above the floor. Then release the mechanical safety release button, allowing the mechanical safety locking bars to be readied for their next use. Continue to depress the down button until the lift is completely lowered and LED light goes off for leveling of both runways.

NOTE: The operator must always keep their attention on the operation of the lift while raising or lowering.

5. Be sure that the lift is completely lowered before removing the vehicle from the lift.

7. RECOMMENDED MAINTENANCE

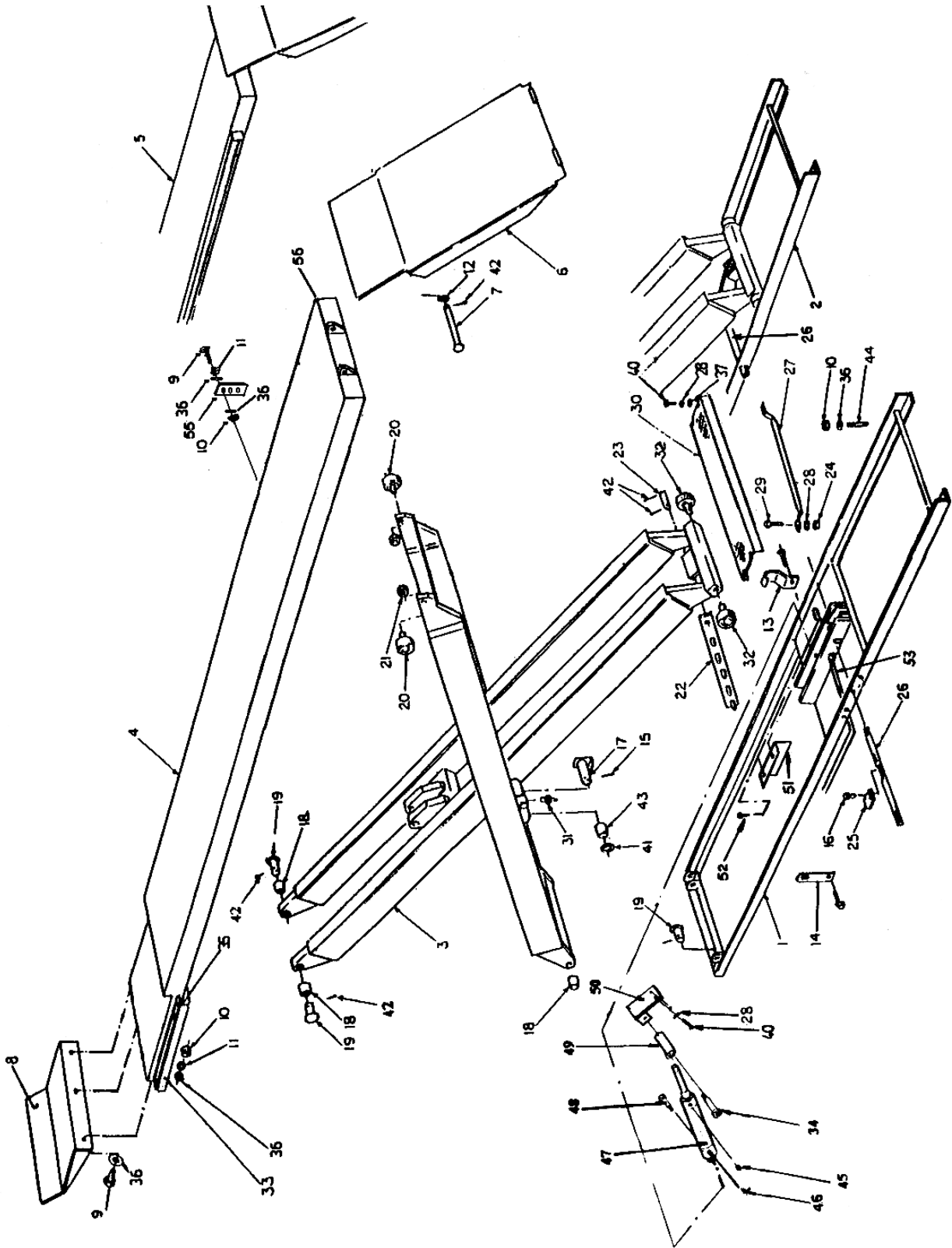
1. The lift should be greased at least once every two months. There are six (6) points on each lift that will take grease: four (4) on the scissors hinges and one on each of the two (2) hydraulic cylinder rod eyelet's.
2. The fluid level in the reservoir should be checked periodically. Be sure that the lift is fully lowered when checking. The hydraulic fluids should be changed once every five years. Use only ISO 32 hydraulic fluid.
3. The roller tracks should always be kept clean and free of debris. This area should be checked before any raising or lowering of the lift.
4. Inspect the operation of the lift daily. Raise and lower fully.
5. Inspect electrical and mechanical operations of all switches, electrical and mechanical.
6. Lifts equipped with full floating rear slip plates and front radius turning plates, require to be disassembled and cleaned once every 3 months. More frequently with lifts that are in areas with more exposure to sand and salt.

NOTE: Locking pins should always be installed on front and rear plates before attempting to drive a vehicle on or off the lift.

QUARTERLY REAR SLIP PLATE MAINTENANCE

1. Remove top Slip Plate covers by first removing the four (4) shoulder bolts on each cover.
2. Remove polyethylene bearing cages insuring that all the delrin bearings remain in the cages. Additional delrin bearings may be purchased if required.
3. Clean runway surface and touch up any paint wear with a rust resistant paint. Allow paint to dry thoroughly.
4. To obtain optimum performance, the position of the slip plate bearing cage should be rotated every quarter to change the wear pattern. With the first quarter maintenance, flip the bearing cage over to the opposite side. With the second quarter maintenance, rotate the bearing cage end-to-end. With the third quarter maintenance, flip bearing cage over to the opposite side. Fourth quarter maintenance should see the bearing cage rotated back to the position it started in.
5. Quarterly maintenance will optimize performance and contribute to longer slip plate life.

8. PARTS MANUAL
BAYSAVER ASSEMBLY

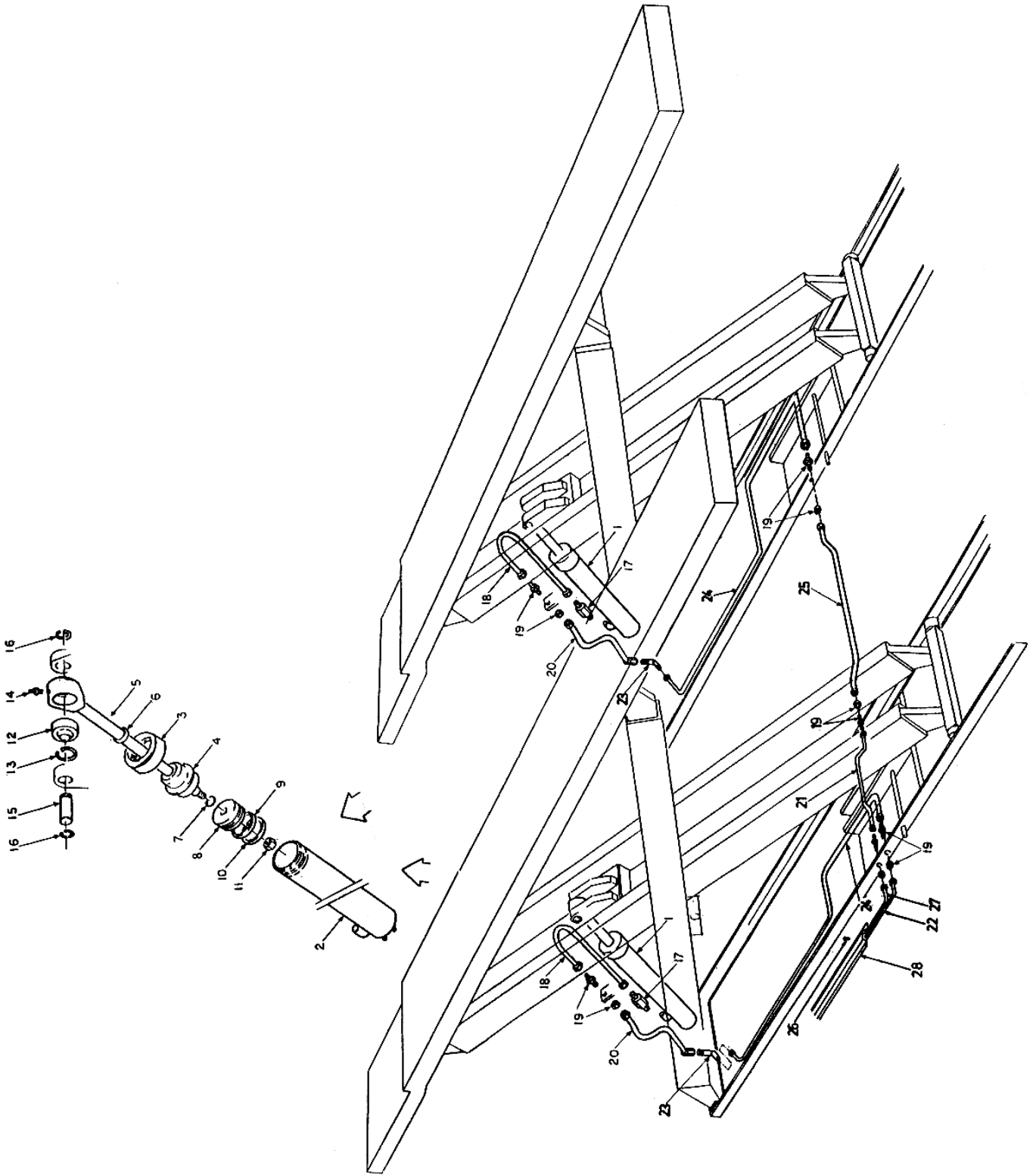


BAYSAVER - PART LIST

ITEM	QTY.	DESCRIPTION	PART #
1	1	9K BASE FRAME WELDMENT, LEFT SIDE	4-0112
	1	12K BASE FRAME WELDMENT, LEFT SIDE	4-0160
2	1	9K BASE FRAME WELDMENT, RIGHT SIDE	4-0113
	1	12K BASE FRAME WELDMENT, RIGHT SIDE	4-0161
3	2	SCISSOR WELDMENT	4-0002
4	1	9K ALIGNMENT DECK, LEFT SIDE (144"W/B)	4-0379
	1	9K ALIGNMENT DECK, LEFT SIDE (172"W/B)	4-0415
	1	12K ALIGNMENT DECK, LEFT SIDE (172"W/B)	4-0158
5	1	9K ALIGNMENT DECK, RIGHT SIDE (144"W/B)	4-0380
	1	9K ALIGNMENT DECK, RIGHT SIDE (172"W/B)	4-0416
	1	12K ALIGNMENT DECK, RIGHT SIDE (172"W/B)	4-0159
6	2	APPROACH RAMP	3-0285
	2	APPROACH RAMP (FLUSHMOUNT)	3-0698
7	2	RAMP PIN	1-0095
8	2	FRONT WHEEL STOP	2-0851
9	16	HEX BOLT, ½" - 13UNC X 1 ½"LG.	6-0291
10	18	HEX NUT, ½" - 13UNC	6-0035
11	6	LOCK WASHER, ½" I.D.	6-0059
12	2	51/64" I.D. X 1" O.D. X 1/8" THK. FLAT WASHER	6-0808
13	2	SHIPPING BRACKET	2-0112
14	2	FLAT SHIPPING BRACKET	2-0266
15	4	SPRING PIN, 3/16" X 2" LG.	6-0146
16	2	FLAT HD., ¼"-20UNC x ¾" LG.	6-1086
17	4	FULCRUM PIN, 1 ¼" DIA.	1-0106
18	8	BUSHING, 1" I.D.	6-0085
19	8	END HINGE PIN, 1" DIA.	1-0107
20	4	CAM FOLLOWER	6-0637
21	4	JAM NUT, 5/8" - 18UNF	6-0040
22	2	SAFETY BAR WELDMENT	2-1683
23	2	SAFETY PIN	1-0547
24	2	NEX NUT, ¼"-20UNC	6-0032
25	2	SAFETY RELEASE TAB	1-2280
26	2	SAFETY RELEASE ROD (9K)	2-0069
	2	SAFETY RELEASE ROD (12K)	2-0428
27	2	SAFETY RELEASE CONNECTING ROD	2-0071
28	14	LOCK WASHER, ¼" I.D.	6-0056
29	2	HEX. BOLT, ¼"-20UNC x 1¼" LG.	6-0027
30	1	CENTER COVER (9K)	3-0365
	1	CENTER COVER (12K)	3-0371
31	4	GREASE NIPPLE	6-0000
32	4	CAM FOLLOWER	6-0077
33	2	PULL OUT STEP ASSEMBLY	2-0362
		* NO PULL OUT STEP ASSEMBLY FOR 12K LIFT	
34	2	SHOULDER BOLT, 3/8" DIA. X 1" LG.	6-0206
35	2	SAFETY WALK TAPE	1-0749
36	24	PLAIN WASHER, ½" I.D.	6-0063
37	4	FLATWASHER, ¼" I.D.	6-0060
40	10	HEX BOLT, ¼" - 20UNC X ¾" LG.	6-0178
41	4	WASHER	1-0140

ITEM	QTY.	DESCRIPTION	PART #
42	14	COTTER PIN, 1/8" X 2"LG.	6-0115
43	4	BUSHING, 1 1/4" I.D.	6-0084
44	12	9K WEDGE ANCHOR, 1/2" X 4 1/2" LG.	6-0140
	16	12K WEDGE ANCHOR, 1/2" X 4 1/2" LG.	6-0140
45	1	1/8" NPT BREATHER	6-0183
46	1	ELBOW 90°, 1/8" NPT TO 1/4" POLYTUBE	6-0709
47	1	AIR CYLINDER	6-1232
48	1	SHOULDER BOLT, 5/16" DIA. X 1" LG.	6-0246
49	1	ROD END ASS'Y (INCLUDES 1/4"-20UNC x 3/8" LG SET SCREW)	1-1245
50	1	ACTUATOR ARM WELDMENT	1-1246
51	1	SAFETY COVER	2-1055
52	2	SELF TAPPING SCREW, #10-24UNC X 1/2" LG.	6-0505
53	1	POLYTUBE, 1/4" DIA. (30' LG)	6-1270
54	1	"HYDRAULIC LEVELING" DECAL	6-1405
55	2	T/B BRACKET (12K) FOR AIR KIT, D.S. ONLY	1-0636
	2	HEX BOLT, 1/2" - 13UNC X 1 1/2" LG.	6-0291
	2	HEX NUT, 1/2" - 13UNC	6-0035
	4	PLAIN WASHER, 1/2" I.D.	6-0063
	2	LOCK WASHER, 1/2" I.D.	6-0059
56	2	ADAPTER PLATE (12K)	1-2319
	6	HEX BOLT, 1/2" - 13UNC X 1 1/2" LG.	6-0291
	6	HEX NUT, 1/2" - 13UNC	6-0035
	12	PLAIN WASHER, 1/2" I.D.	6-0063
	6	LOCK WASHER, 1/2" I.D.	6-0059

BAYSAVER HYDRAULICS

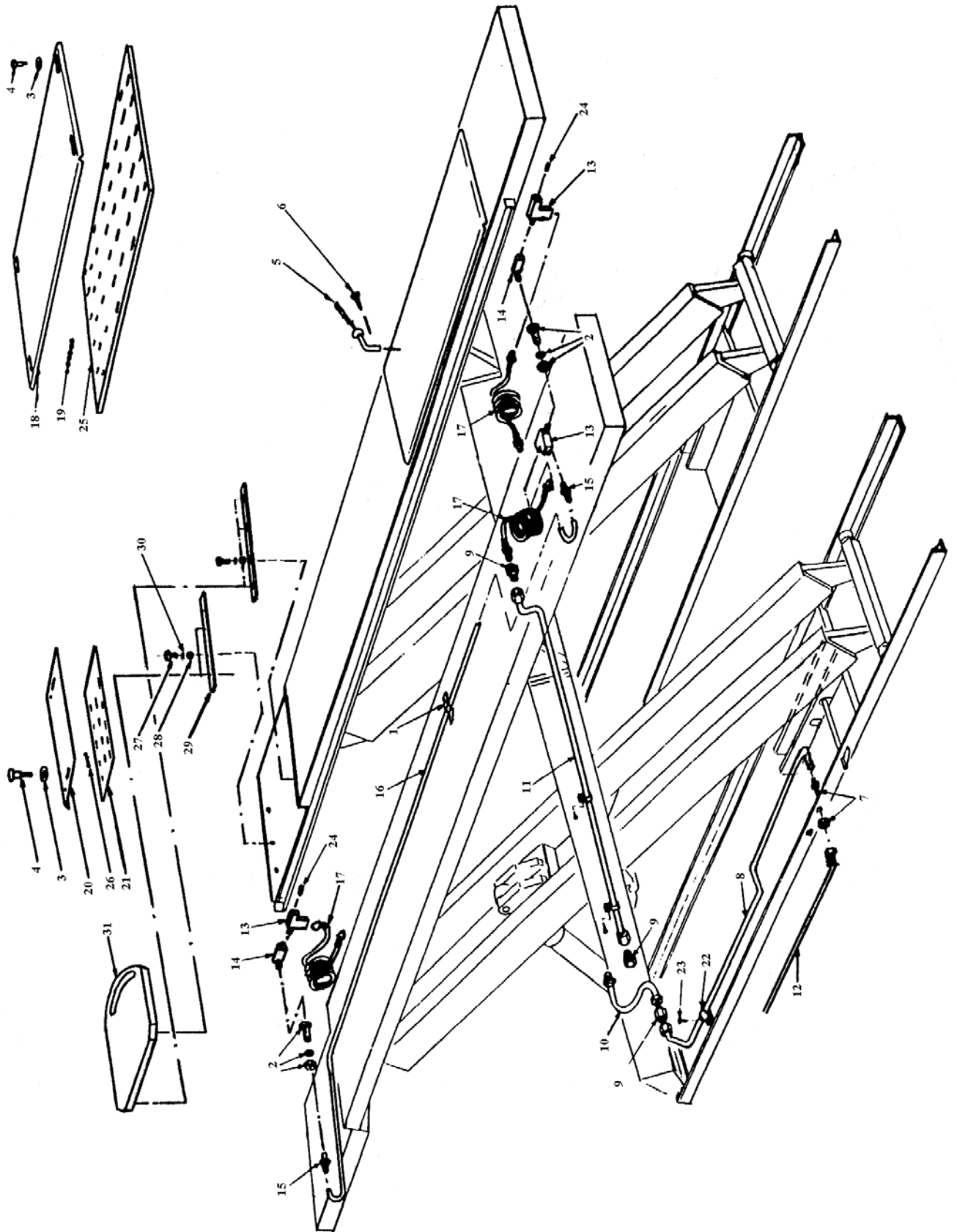


BAYSAVER - HYDRAULICS PART LIST

ITEM	QTY.	DESCRIPTION	PART #
1	2	HYDRAULIC CYLINDER	3-0000
1-2	1	TUBE WELDMENT	2-0000
1-3	1	NUT GLAND	1-0011
1-4	1	GLAND	1-0008
1-5	1	ROD WELDMENT	2-0001
1-6*	1	WIPER RING	6-0001
1-7*	1	'O' RING	6-0002
1-8	1	PISTON	1-0007
1-9*	1	SEAL RING	6-0003
1-10*	1	WEAR RING	6-0004
1-11	1	NYLON INSERT LOCK NUT, 7/8"-14UNF	6-0005
1-12	1	BEARING	6-0007
1-13	1	RETAINING RING	6-0070
1-14	1	GREASE NIPPLE	6-0000
15	2	PIN	1-0029
16	4	RETAINING RING	6-0340
17	2	VELOCITY FUSE	6-0422
18	2	TUBE ASSEMBLY, CYLINDER	1-0093
19	6	BULKHEAD, CONNECTOR 3/8"JIC C/W JAM NUT	6-0013
20	2	HOSE ASSEMBLY	2-0624
21	1	TUBE ASSEMBLY	2-0848
22	1	HYDRAULIC HOSE ASSEMBLY	2-1050
23	2	BULKHEAD, 90° ELBOW 3/8"JIC M C/W JAM NUT	6-0012
24	2	TUBE ASSEMBLY	2-0849
25	1	TUBE ASSEMBLY (9K)	2-0065
	1	TUBE ASSEMBLY (12K)	2-0519
26	20	CONCRETE NAIL, 1/4" x 1"	6-0141
27	1	HYDRAULIC HOSE ASSEMBLY	2-1049
28	5	LINE COVER	2-1104

*HYDRAULIC CYLINDER SEAL KIT PART # 0-0007

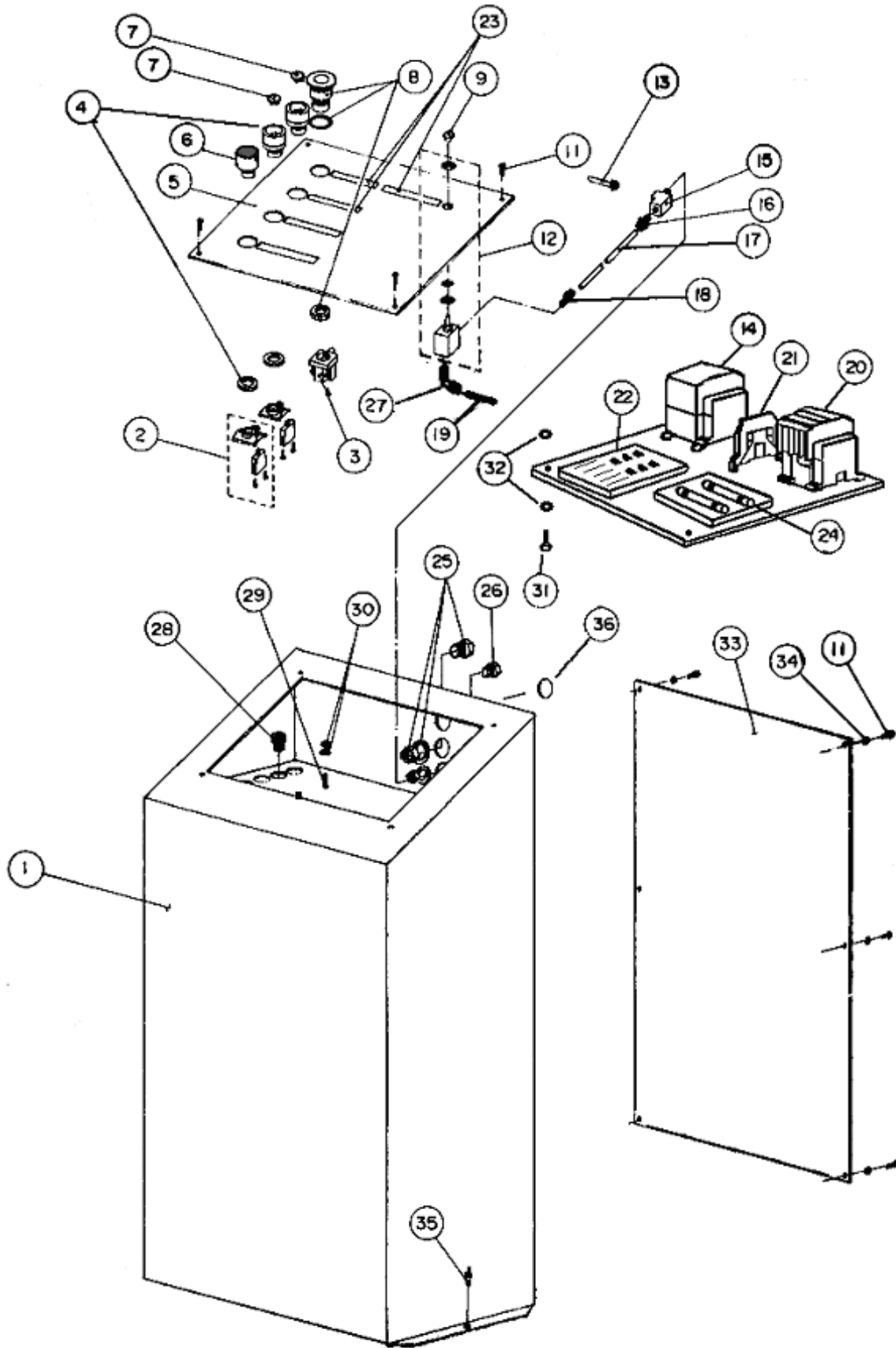
BAYSAVER OPTIONS



BAYSAVER - OPTIONS PART LIST

ITEM	QTY.	DESCRIPTION	PART #
1	5	FRAME CLIP	6-0500
2	2	TERMINAL BOLT, 3/4"-16m W/1/4 NPT F	6-0167
3	12	FLAT WASHER	6-0426
4	12	SHOULDER BOLT, 3/8" X 5/8"LG.	6-0069
5	8	LOCKING PIN ASSEMBLY	2-0637
6	8	SELF TAP SCREW #10 X 1/2"LG.	6-0505
7	1	BULKHEAD, CONNECTOR 3/8"JIC C/W JAM NUT	6-0013
8	1	TUBE ASSEMBLY	3-0017
9	3	ADAPTER, 3/8"JIC M TO 1/4"NPT F	6-0118
10	1	HOSE ASSEMBLY	1-0119
11	1	TUBE ASSEMBLY	2-0062
12	1	3/8"DIA. PVC BRAIDED HOSE, 22'LG. (C/W FITTINGS)	6-1345
13	3	STREET TEE 1/4"NPT	6-0014
14	2	STREET ELBOW	6-0015
15	2	POLYTUBE STRAIGHT ADAPTER, 3/8" X 1/4"NPT	6-0710
16	1	HOSE 144"W/B	1-0120
17	3	12' COILED HOSE	6-0337
18	2	REAR SLIP PLATE WELDMENT	3-0197
19	1 SET (225)	BALL BEARING, 1/4"DIA.	6-0829
20	2	FRONT POSITIONING PLATE WELDMENT	2-0841
21	2	FRONT BEARING CAGE	1-1070
22	4	TUBE CLAMP	6-0170
23	4	SELF TAP SCREW, #10 X 3/8"LG.	6-0169
24	2	PLUG, 1/4"NPT	6-0282
25	2	REAR BEARING CAGE	3-0196
26	1 SET (70)	BALL BEARING, 1/4" DIA.	6-0829
27	16	HEX HD. BOLT, 1/4"-20UNC X 3/4"LG.	6-0178
28	16	FLATWASHER, 1/4" I.D. x 3/4"OD, PLATED	6-0060
29	4	RETAINING BAR	2-1391
30	16	LOCKWASHER, 1/4"DIA.	6-0056
31	2	WHEELTRON TURNPLATE	4-0375

BAYSAVER CONSOLE

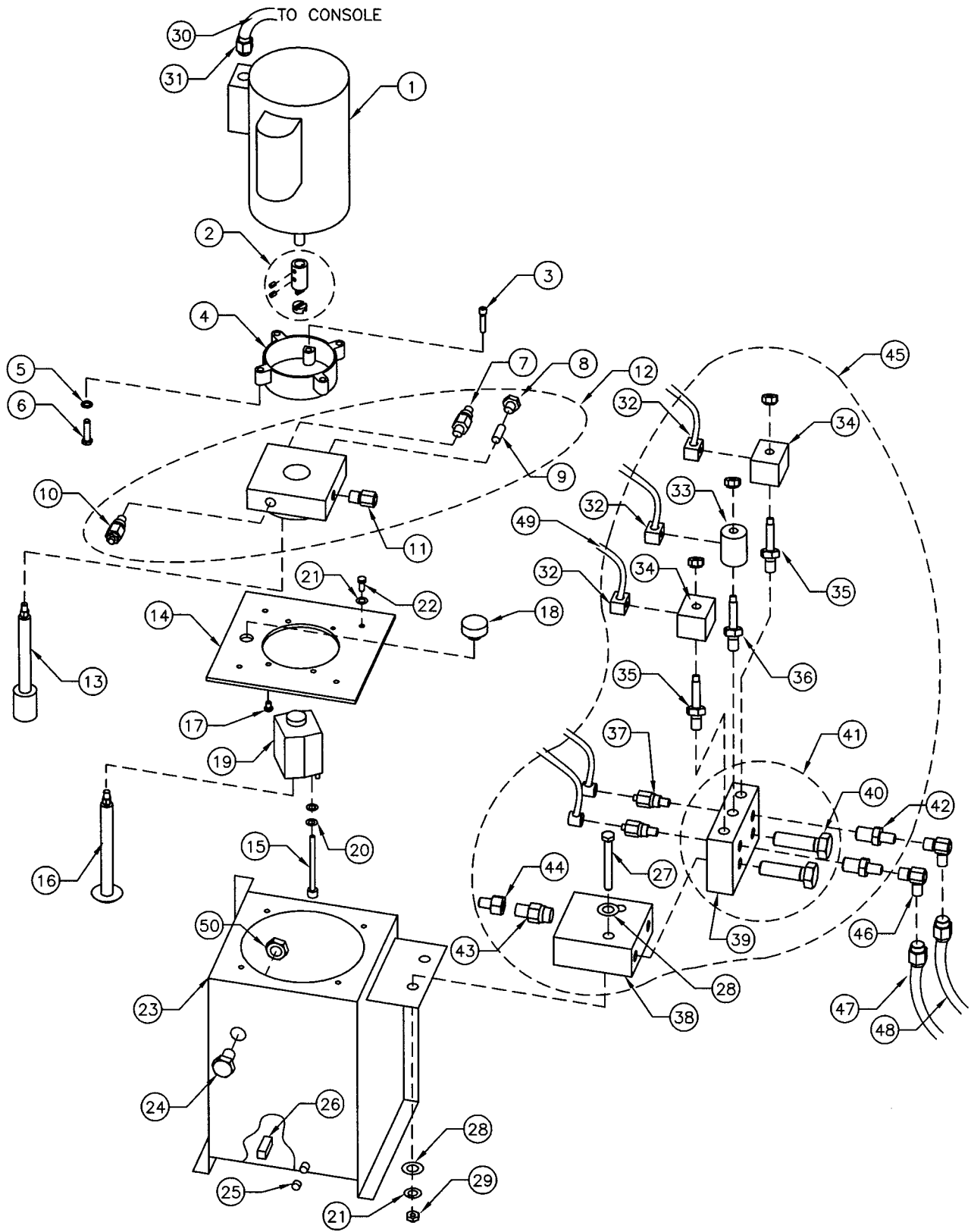


BAYSAVER CONSOLE PART LIST

ITEM	QTY	DESCRIPTION	PART #
1	1	CONSOLE WELDMENT	4-0356
2	2	PUSHBUTTON CONTACTS	6-1248
3	1	EMERGENCY PUSHBUTTON CONTACT	6-2922
4	2	PUSHBUTTON	6-1247
5	1	TOP COVER	2-0962
6	1	GREEN LED, 24mm	6-2177
7	2	PUSHBUTTON PLATE (UP/DOWN ARROW)	6-1251
8	1	EMERGENCY STOP PUSHBUTTON W/ RESET	6-2921
9	1	BUTTON W/ SET SCREW & ALLEN KEY	6-1052
11	10	BUTTON HD. SOCKET CAP SCREW, 1/4"-28UNF X 3/8"LG.	6-0441
12	1	AIR VALVE ASS'Y W/ (2) THIN NUTS & (1) LOCKWASHER	6-1055
13	1	3/8"DIA. PVC BRAIDED HOSE. 16'LG. C/W FITTINGS	6-1345
14	1	TRANSFORMER, 220V	6-2126
		TRANSFORMER, 460V	6-2171
		TRANSFORMER, 600V	6-2147
15	1	TEE, 1/4"NPT M TO 1/4"NPT F TO 1/4"NPT F	6-0014
16	1	ADAPTER, 1/4"DIA. POLYTUBE TO 1/4"NPT M	6-1347
17	1	1/4" POLYTUBE, 12"LG.	6-1343
18	1	ADAPTER, 1/4"DIA. POLYTUBE TO 1/8"NPT M	6-0708
19	1	1/4" POLYTUBE, 30"LG.	6-1270
20	1	CONTACTOR BOARD, 3PH, 24V COIL	6-2172
	1	CONTACTOR BOARD, 1PH, 24V COIL	6-2173
21	1	THERMAL OVERLOAD, 1.8A – 2.8A (575V/3PH ONLY)	6-2174
		THERMAL OVERLOAD, 2.7A – 4.2A (460V/3PH ONLY)	6-2175
		THERMAL OVERLOAD, 6.0A – 9.2A (220V/3PH ONLY)	6-2176
22	1	PRINTED CIRCUIT BOARD	6-2125
23	1	DECAL SET	6-1344
24	2	FUSE, 2A 600V	6-2178
25	2	STRAIN RELIEF, 1/2" (1 PHASE)	6-1370
		STRAIN RELIEF, 1/2" (3 PHASE)	6-0094
26	1	BULKHEAD, 1/4"NPT	6-0713
27	1	1/4" POLYTUBE TO 1/8"NPT 90° ELBOW ADAPTER	6-0709
28	5	STRAIN RELIEF, 1/4"	6-0092
29	1	BOLT #10-24UNC X 1/2"LG	6-0815
30	2	NUT #10-24UNC	6-1346
31	4	BOLT, #8-32NC X 1" LG.	6-1094
32	8	NUT, #8-32NC	6-1095
33	1	ACCESS COVER	3-0497
34	5	FLATWASHER, 1/4"I.D.	6-0060
35	2	CONCRETE NAIL, 1/4" X 1"LG.	6-0141
36	1	ELECTRICAL KNOCKOUT PLUG	6-2314

***NOTE: SEE FOLLOWING PAGE FOR POWERPACK ASSEMBLY

9,000 LB BAYSAVER POWERPACK

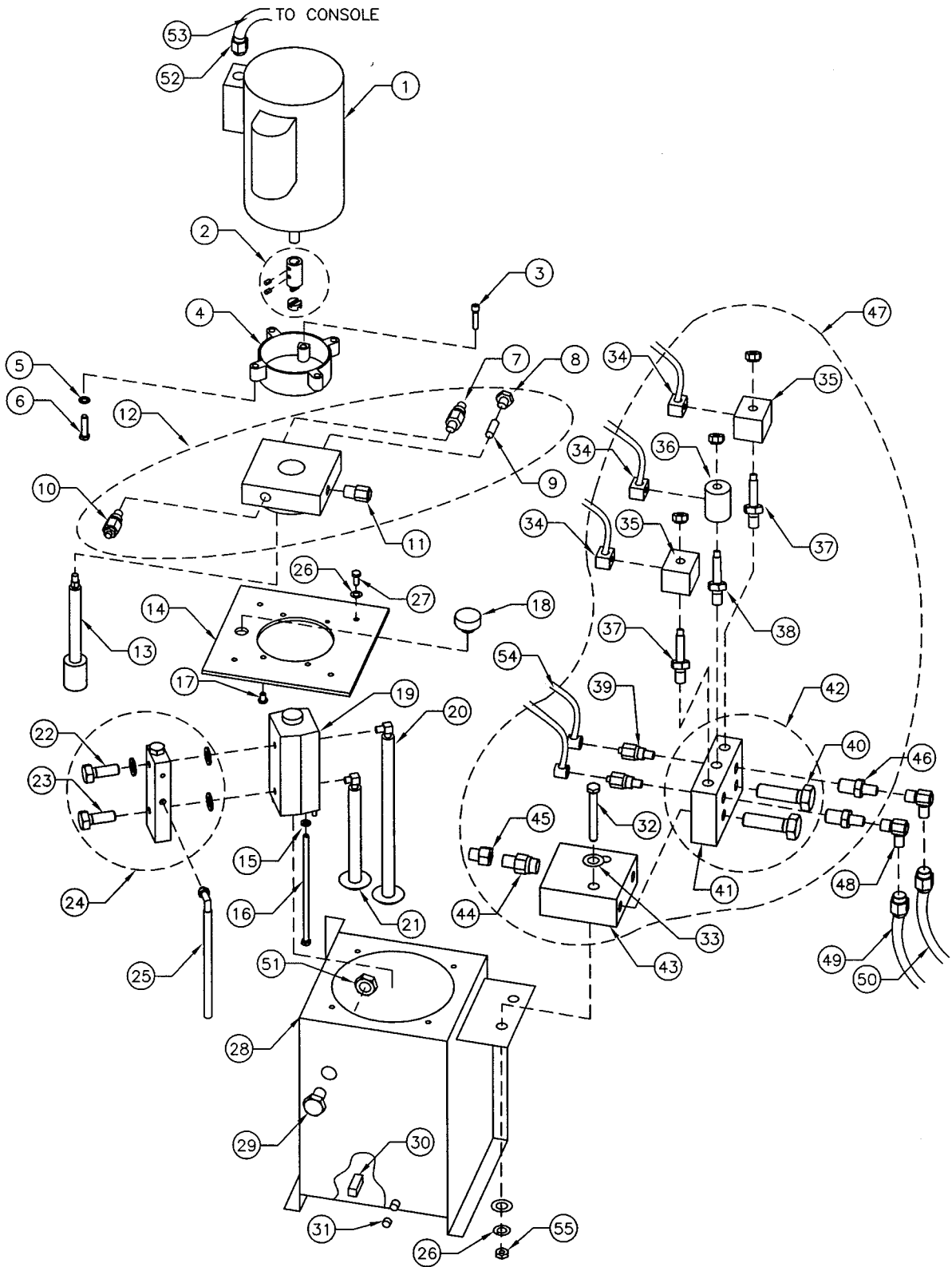


9,000 LB BAYSAVER POWERPACK PARTS LIST

ITEM NO.	QTY.	DESCRIPTION	PART NO.
1	1	MOTOR, 220V (1 PHASE)	6-0087
		MOTOR, 220V (3 PHASE)	6-0446
		MOTOR, 575V (3 PHASE)	6-0447
2	1	MOTOR COUPLER	6-2537
3	2	CAP SCREW, SOCKETHEAD, 5/16"-18UNC x 1 1/2" LG	6-2534
4	1	BELLHOUSING	6-2507
5	4	LOCKWASHER, INTERNAL TOOTH, 3/8"	6-2547
6	4	CAP SCREW, HEX HEAD, 3/8"-16UNC x 1 1/2" LG	6-2558
7	1	AUTO SWITCHING VALVE	6-2273
8	1	PLUG, 3/8" (INCLUDES "O"-RING)	6-2519
9	1	FLOW CONTROL , 1.5 – 2 GPM	6-2272
10	1	RELIEF VALVE (4100 PSI)	6-2264
11	1	SWIVEL ADAPTER (1/4" NPT MALE TO 3/8" JIC	6-2270
12	1	MAIN BODY ASSEMBLY (INCLUDES 7,8,9,10,11)	6-2545
13	1	RETURN FILTER ASSEMBLY	6-2546
14	1	MOUNTING PLATE	6-2521
15	2	CAP SCREW, SOCKET HEAD, 5/16"-18UNC x 3 1/4" LG	6-2536
16	1	INLET STRAINER ASSEMBLY	6-2535
17	4	CAP SCREW, BUTTIONHEAD, 5/16"-18UNC x 1/2" LG	6-2524
18	1	FILLER / BREATHER CAP	6-2523
19	1	PUMP	6-2268
20	4	LOCKWASHER, 5/16"	6-0674
21	4	LOCK WASHER, 1/4"	6-0056
22	4	CAP SCREW, HEX HEAD, 1/4"-20UNC x 3/4" LG	6-0178
23	1	OIL RESERVOIR	4-0797
24	1	OIL LEVEL SIGHT PLUG	6-0517
25	1	PLUG, SOCKETHEAD, 3/8" NPT	6-0102
26	1	MAGNET	6-0405
27	2	CAP SCREW, HEX HEAD, 1/4"-20 UNC x 2 3/4" LG	6-0648
28	4	FLAT WASHER, 1/4"	6-0060
29	4	NUT, HEX, 1/4"-20UNC	6-0032
30	1	MOTOR CABLE (1 PHASE)	1-0104
		MOTOR CABLE (3 PHASE)	1-1824
31	1	1/2" STRAIN RELIEF (1 PHASE)	6-1370
		1/2" STRAIN RELIEF (3 PHASE)	6-0094
32	3	DIN CONNECTOR (24V)	6-2236
33	1	ROUND COIL (24V)	6-2114
34	2	SQUARE COIL (24V)	6-2128
35	2	SPOOL VALVE (C/W MANUAL OVERRIDE)	6-2129
36	1	SPOOL VALVE (RESQUARE)	6-1364
37	2	PRESSURE SWITCH (INCLUDES BONDED SEAL)	6-2548
38	1	FLOW DIVIDER	6-2549
39	1	MANIFOLD	6-2551
40	2	BANJO BOLT (INCLUDES BONDED SEAL)	6-2550
41	1	MANIFOLD ASSEMBLY (INCLUDES 39-40)	6-2552
42	2	FILTER FITTING (BSP 3/8" MALE TO 3/8" JIC MALE)	6-2127
43	1	FILTER FITTING (BSP 1/2" MALE TO 3/8" JIC MALE)	6-2553
44	1	ADAPTER (3/8" JIC MALE TO 3/8" JIC FEMALE W/ BONDED SEAL)	6-2559
45	1	FLOW DIVIDER ASSEMBLY (INCLUDES 32 TO 44)	6-2315
46	2	90° ELBOW (3/8" JIC MALE TO 3/8" JIC FEMALE)	6-0813

47	1	DRIVER SIDE HYDRAULIC HOSE	2-1049
48	1	PASSENGER SIDE HYDRAULIC HOSE	2-1050
49	15 FT	COIL / PRESSURE SWITCH CABLE	8-0306
50	2	½" CONDUIT LOCKNUT	6-1610
***NOTE		PUMP ASSEMBLY (INCLUDES 2 TO 20)	6-2110
		COMPLETE POWERPACK & CONSOLE ASSEMBLY	
		220V, 1 PHASE	4-0798
		220V, 3 PHASE	4-0801
		460V, 3 PHASE	4-0932
		575V, 3 PHASE	4-0802

12,000 LB BAYSAVER POWERPACK



12,000 LB BAYSAVER POWER PACK - PARTS LIST

ITEM NO.	QTY.	DESCRIPTION	PART NO.
1A	1	MOTOR, 220V (1 PHASE)	6-0087
1B	1	MOTOR, 220V (3 PHASE)	6-0446
1C	1	MOTOR, 575V (3 PHASE)	6-0447
2	1	MOTOR COUPLER	6-2537
3	2	CAP SCREW, SOCKET HEAD, 5/16"-18UNC x 1 1/2" LG	6-2534
4	1	BELLHOUSING	6-2507
5	4	LOCKWASHER, INTERNAL TOOTH, 3/8"	6-2547
6	4	CAP SCREW, HEX HEAD, 3/8"-16UNC x 1 1/2" LG	6-2558
7	1	AUTO SWITCHING VALVE	6-2273
8	1	PLUG, 3/8" (INCLUDES "O"-RING)	6-2519
9	1	FLOW CONTROL , 1.5 – 2 GPM	6-2272
10	1	RELIEF VALVE (5400 PSI)	6-2265
11	1	SWIVEL ADAPTER (1/4" NPT MALE TO 3/8" JIC	6-2270
12	1	MAIN BODY ASSEMBLY (INCLUDES 7,8,9,10,11)	6-2557
13	1	RETURN FILTER ASSEMBLY	6-2546
14	1	MOUNTING PLATE	6-2521
15	4	LOCKWASHER, 5/16"	6-0674
16	2	CAP SCREW, HEX HEAD, 5/16"-18UNC x 6 1/2" LG	6-2533
17	4	CAP SCREW, BUTTONHEAD, 5/16"-18UNC x 1/2" LG	6-2524
18	1	FILLER / BREATHER CAP	6-2523
19	1	TANDEM PUMP	6-2527
20	1	LONG INLET STRAINER ASSEMBLY	6-2528
21	1	SHORT INLET STRAINER ASSEMBLY	6-2529
22	1	BANJO BOLT (INCLUDES 2 WASHER SEALS)	6-2525
23	1	BANJO BOLT (INCLUDES 2 "O"-RINGS AND 1 WASHER SEAL)	6-2526
24	1	UNLOADING MANIFOLD ASSEMBLY (INCLUDES 22,23)	6-2555
25	1	RETURN TUBE ASSEMBLY	6-2532
26	4	LOCKWASHER, 1/4"	6-0056
27	4	CAP SCREW, HEX HEAD, 1/4"-20UNC x 3/4" LG	6-0178
28	1	OIL RESERVOIR	4-0797
29	1	OIL LEVEL SIGHT PLUG	6-0517
30	1	MAGNET	6-0405
31	1	PLUG, SOCKETHEAD, 3/8" NPT	6-0102
32	2	CAP SCREW, HEX HEAD, 1/4"-20UNC x 2 3/4" LG	6-0648
33	4	FLAT WASHER, 1/4"	6-0060
34	3	DIN CONNECTOR (24V)	6-2236
35	2	SQUARE COIL (24V)	6-2128
36	1	ROUND COIL (24V)	6-2114
37	2	SPOOL VALVE (C/W MANUAL OVERRIDE)	6-2129
38	1	SPOOL VALVE (RESQUARE)	6-1364
39	2	PRESSURE SWITCH (INCLUDES BONDED SEAL)	6-2548
40	2	BANJO BOLT (INCLUDES BONDED SEAL)	6-2550
41	1	MANIFOLD	6-2551
42	1	MANIFOLD ASSEMBLY (INCLUDES 40-41)	6-2552
43	1	FLOW DIVIDER	6-2549
44	2	FILTER FITTING (BSP 3/8" MALE TO 3/8" JIC MALE)	6-2127
45	1	ADAPTER (3/8" JIC MALE TO 3/8" JIC FEMALE)	6-2559
46	2	FILTER FITTING (BSP 3/8" MALE TO 3/8" JIC MALE	6-2127
47	1	FLOW DIVIDER ASSEMBLY (INCLUDES 34 TO 46)	6-2315

48	2	90° ELBOW (3/8" JIC MALE TO 3/8" JIC FEMALE)	6-0813
49	1	DRIVER SIDE HYDRAULIC HOSE	2-1049
50	1	PASSENGER SIDE HYDRAULIC HOSE	2-1050
51	2	½" CONDUIT LOCKNUT	6-1610
52	1	½" STRAIN RELIEF CONNECTOR	6-0094
53	1	MOTOR CABLE (1 PHASE)	1-0104
		MOTOR CABLE (3 PHASE)	1-1824
54	5	COIL / PRESSURE SWITCH CABLE	1-0105
55	4	NUT, HEX, ¼"-20UNC	6-0032
***NOTE		PUMP ASSEMBLY (INCLUDES 2 TO 25)	6-2262
		COMPLETE POWERPACK & CONSOLE ASSEMBLY	
		220V, 1 PHASE	4-0900
		220V, 3 PHASE	4-0901
		460V, 3 PHASE	4-0933
		575V, 3 PHASE	4-0902

